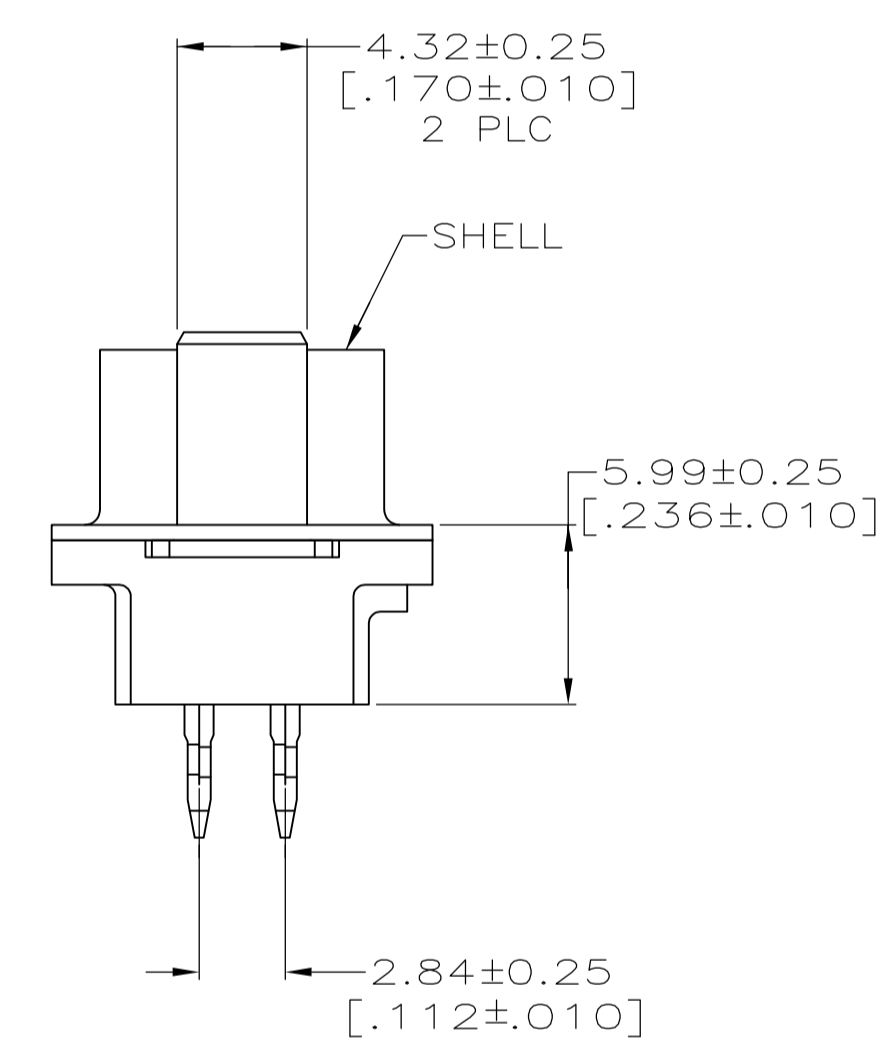
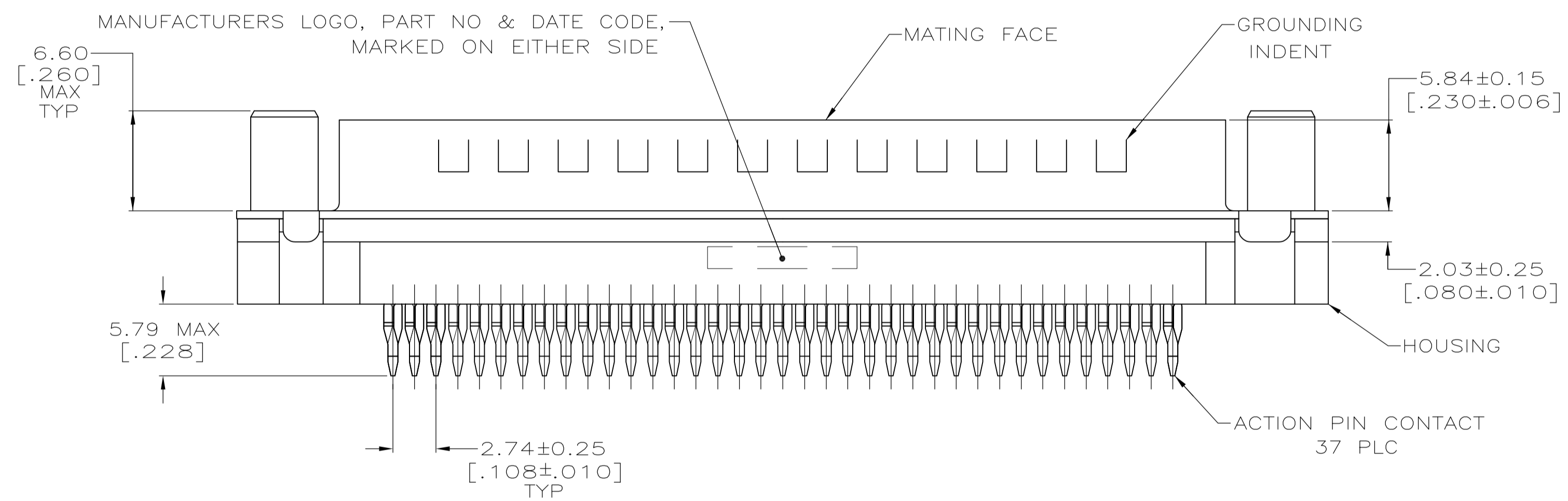
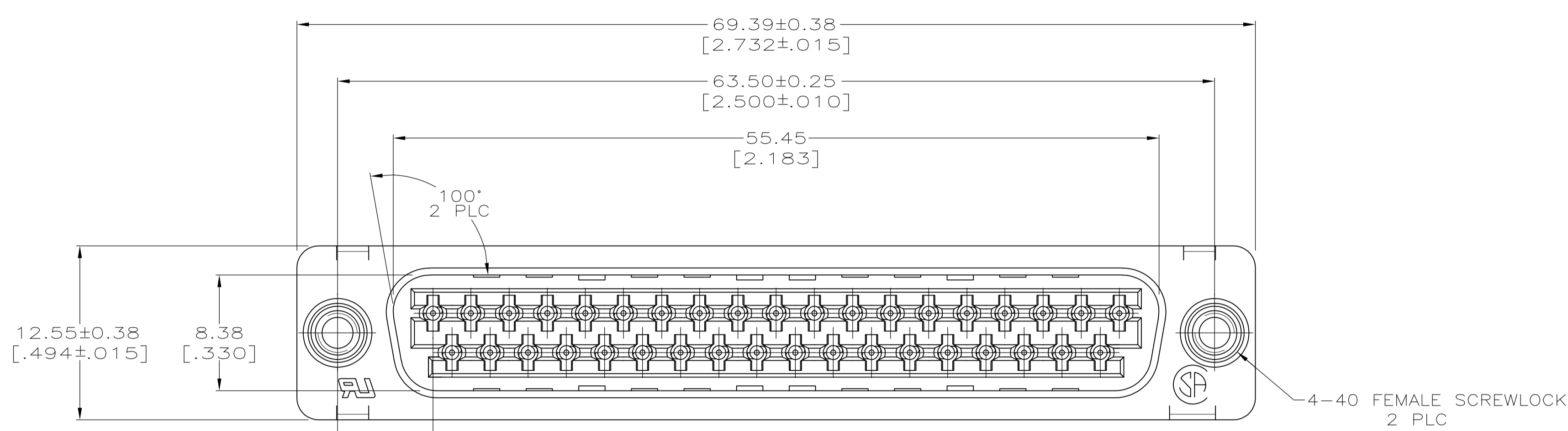


LOC		DIST		REVISIONS			
P	LTR	DESCRIPTION	DATE	DMN	APVD		
C		REVISED PER ECO-12-000090	27JAN2012	CJV	SLB		



- 1 FOR USE WITH 2.36 [.093] MINIMUM THICK PRINTED CIRCUIT BOARD. REFER TO APPLICATION SPECIFICATION FOR PRINTED CIRCUIT BOARD LAYOUT DIMENSIONS AND FINISH RECOMMENDATIONS.
- 2 HOUSING: FLAME RETARDANT, UL 94V-0 RATED, GLASS FILLED, NYLON OR POLYESTER, BLACK.
- 3 CONTACTS: COPPER ALLOY
- 4 SHELL: CARBON STEEL
- 5 SCREWLOCKS: ZINC ALLOY
- 6 SHELL: 5.08μm [.000200] MIN TIN OVER 2.54μm [.000100] MIN COPPER.
- 7 CONTACTS:
0.76 MICRO METERS [.000030] MINIMUM GOLD IN MATING AREA.
2.54 MICRO METERS [.000100] MINIMUM TIN ON COMPLIANT PIN.
ALL OVER 1.27 MICRO METERS [.000050] MINIMUM NICKEL.
OR
GOLD FLASH OVER PALLADIUM NICKEL.
0.76 MICRO METERS [.000030] MINIMUM TOTAL IN MATING AREA.
2.54 MICRO METERS [.000100] MINIMUM TIN ON COMPLIANT PIN.
ALL OVER 1.27 MICRO METERS [.000050] MINIMUM NICKEL.
- 8 SCREWLOCKS: CLEAR CHROMATE

5750060-1
PART NO

**COPYRIGHT 2005
TYCO ELECTRONICS CORP
ALL RIGHTS RESERVED**

THIS DRAWING IS A CONTROLLED DOCUMENT. DIMENSIONING AND TOLERANCING PER ASME Y14.5M-2009		DIN J. ALCORTA - DOCK5 04-06-05	TE Connectivity	
DIMENSIONS: mm [INCHES]		CHK S. BOLASH 04-06-05	APVD M. WALMSLEY 04-06-05	
TOLERANCES UNLESS OTHERWISE SPECIFIED:		NAME		
0' PLC ± -	1' PLC ± -	108-40014		
2' PLC ± 0.13 [.005]	3' PLC ± -	APPLICATION SPEC		
4' PLC ± -	ANGLES ± 2'	114-40026 1		
MATERIAL	FINISH	SIZE	CAGE CODE	DRAWING NO
		A1	00779	5750060
CUSTOMER DRAWING		SCALE	SHEET	REV
		4:1	1 of 1	C